



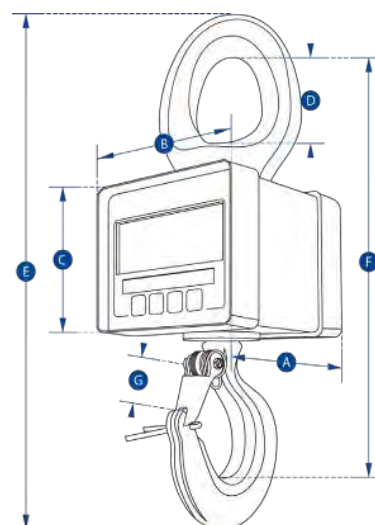
Miniweigher Plus



- Compact size and lightweight.
- Capacities from 100kg to 5t.
- Large 25mm or 1in LCD display.
- High accuracy.
- Selectable Units te, lbs, kN, kg.
- Highest resolution of any compact digital crane scale on the market.
- Peak hold.
- Preset tare.
- Overload counter.
- 90dB audible set point alarm.
- RS-485 serial output.
- Corrosion-resistant finish.

Optional connection to Crosby SP's Handheld Plus – Crosby SP Part Nos. HHP 2789030

LOAD MONITORING



2

Part Numbers SP	MWP100KG	MWP250KG	MWP500KG	MWP1T	MWP2T	MWP5T	
Crosby	2789055	2789057	2789059	2789056	2789058	2789060	
Capacity	(kg)	100	250	500	1000	2 t	5 t
	(lb)	220	550	1100	2200	4400	11000
Resolution	(kg)	0.05	0.1	0.2	0.5	0.001 t	0.001 t
	(lb)	0.1	0.2	0.5	1	2	2
Units (metric)	metric tons, kilograms, kilonewtons and pounds						
Weight	(kg)	1.5	1.5	1.5	1.5	3.1	8.7
	(lb)	3.3	3.3	3.3	3.3	6.8	19.2
Design Factor	10:1	5:1	5:1	5:1	5:1	5:1	
Battery Type	9v PP3						
Battery Life	80 hours continuous						
Display Type	6 digit 25mm LCD or 6 digit 1in LCD						
Operating Temp.	-10°C to +50°C / 14°F to 122°F						
Accuracy	±0.1% of full scale						
Protection	IP65 / NEMA4X						
Dimension A (mm)		81	81	81	81	117	136
	(in)	3.19	3.19	3.19	3.19	4.61	5.35
Dimension B (mm)		112	112	112	112	112	112
	(in)	4.41	4.41	4.41	4.41	4.41	4.41
Dimension C (mm)		81	81	81	81	92	92
	(in)	3.19	3.19	3.19	3.19	3.62	3.62
Dimension D (mm)		33	33	33	33	43	62
	(in)	1.30	1.30	1.30	1.30	1.69	2.44
Dimension E (mm)		222	222	222	222	283	349
	(in)	8.74	8.74	8.74	8.74	11.14	13.74
Dimension F (mm)		183	183	183	183	238	286
	(in)	7.20	7.20	7.20	7.20	9.37	11.26
Dimension G (mm)		22	22	22	22	28	42
	(in)	0.87	0.87	0.87	0.87	1.10	1.65